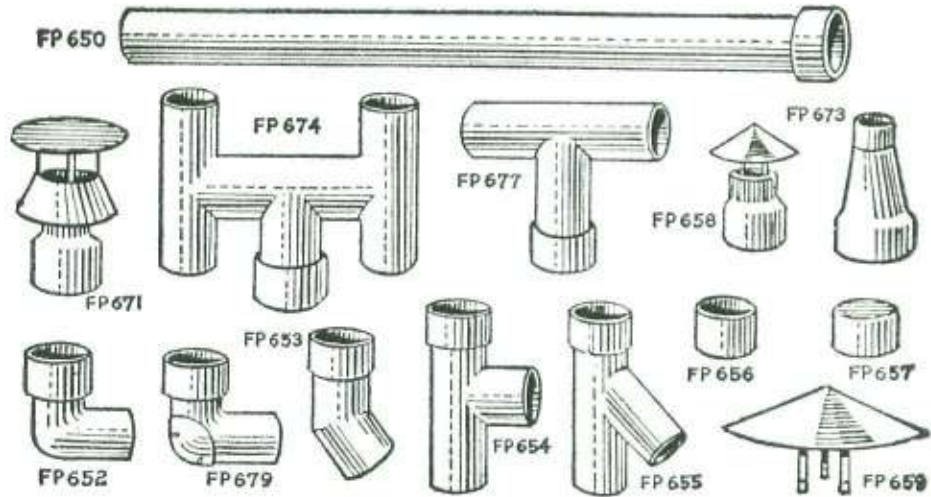


HARDIE'S AC FLUE PIPES & FITTINGS



Stock lengths of pipe: Straight pipe socketed 1 900 (6'2 13/16")

Art. No.	Item	50	75	100	125	150	200
		(2')	(3')	(4')	(5')	(6')	(8')
FP650	Socketed Pipe, each	\$2.60	\$2.66	\$2.79	\$3.29	\$4.50	\$6.78
FP652	Bends, 95°, 405 (1'4") each	—	\$1.47	\$1.61	\$1.87	\$2.61	\$4.82
FP653	Bends, 135°, 405 (1'4") each	—	\$1.47	\$1.61	\$1.87	\$2.61	\$4.82
FP652	Bends, 95°, 710 (2'4") each	—	\$2.02	\$2.14	\$2.29	\$2.68	—
FP653	Bends, 135°, 710 (2'4") each	—	\$2.02	\$2.14	\$2.29	\$2.68	—
FP679	Bends with I.O., 405 (1'4") each	—	\$5.02	\$5.08	\$5.15	\$5.21	\$6.95
FP654	Tees, 90°, each	\$3.54	\$3.63	\$3.74	\$4.47	\$4.69	\$5.49
FP655	Tees, 135°, each	\$3.54	\$3.63	\$3.74	\$4.47	\$4.69	\$5.49
FP656	Loose Sockets, each	\$0.73	\$0.75	\$0.78	\$1.00	\$1.14	\$1.57
FP657	Blank Caps, each	\$0.96	\$1.09	\$1.14	\$1.28	\$1.35	\$1.75
FP658	Cone Cap Cowls, each	—	\$3.14	\$3.68	\$3.74	\$3.96	\$4.27
FP659	Chinaman Hat Cowls, each	—	\$1.87	\$1.87	\$1.87	\$2.14	\$2.21
FP674	"H" Piece, each	—	\$8.32	\$8.56	\$8.76	\$9.90	—
FP677	"T" Piece, each	\$3.54	\$3.63	\$3.74	\$4.47	\$4.69	\$5.49
FP671	Smith (or West) Cowl, each	—	—	\$4.25	\$4.25	\$4.25	—
FP670	Mushroom Cowl (or double Chinaman Hat), each	—	—	\$4.55	\$4.55	\$4.55	—
FP672	Torpedo Cowl, each	—	\$4.15	\$4.69	\$5.24	\$5.49	\$6.15
FP673	Tapered Reducers, each,	75 — 50 (3" — 2")					\$2.65
		100 — 75 (4" — 3")					\$2.65
		125 — 100 (5" — 4")					\$2.75